



Operator's Manual
Reversible Plate Compactor
CRP30 Series



Manufacturer

Conmec Engineering Co., Ltd
No.88, 2# Industrial Avenue, An Wu Road,
Wu Qiao County, Feng Xian, Shanghai, P.R.C
Tel: 86 (0)21 57407318 Fax: 86 (0)21 57406955
www.conmec.cn

Original instructions

This Operator's Manual presents the original instructions. The original language of the Operator's Manual is English.

Foreword

This manual contains important instructions for this machine. These instructions must be followed during installation, operation, and maintenance of the machines.

This manual provides information and procedures to safely operate. For your own safety and to reduce the risk of injury, carefully read, understand, and observe all instructions described in this manual.

We reserves the right to change any of the contents in this manual without notice.

Warranty

Our products are covered by warranty for a period of twelve (12) months from the date of purchase against defects in material or workmanship provided that:

- The product concerned has been operated and maintained in accordance with the operating instructions.
- Has not been damaged by accident, misuse or abuse.
- Has not been tampered with or repaired by any unauthorized person.

Any evidence of failure to meet these conditions may result in a denial of the warranty claim.

The owner is responsible for the cost of transportation to and from the authorized repairer and the unit is at the owners risk while in transit to and from the repairer.

Impact damage is not covered under warranty. Clutches are not covered under any warranty.

Engines are officially guaranteed by engine manufacturer. Please refer to the annex for engine warranty.

Table of Contents

Foreword	3
Warranty	3
1. SAFETY INFORMATION	5
1.1 Operating Safety.....	5
1.2 Operator Safety while using Internal Combustion Engines.....	6
1.3 Service Safety	6
1.4 Label Locations.....	7
1.5 Labels Meaning	8-9
2. OPERATION	10
2.1 Start Preparation	10
2.2 To Start	10-11
2.3 Application	11
2.4 Operation	11
2.5 To Stop	11
3. MAINTENANCE	12
3.1 Periodic Maintenance Schedule.....	12
3.2 Exciter Oil	12
3.3 Lifting and Transporting Trowels.....	13
3.4 Trouble Shooting	13
3.5 Engine will not start	13
4. TECHNICAL DATA	14
4.1 Technical Specification.....	14
4.2 Dimension	14
4.3 Sound and Vibration Specification	14
EC Declaration of Conformity	15

1. SAFETY INFORMATION

1.1 Operating Safety

- Only trained personnel are permitted to start, operate, and shut down the machine. They have received instruction on how to properly use the machine and are familiar with required safety devices.
- Read, understand, and follow procedures in the Operator's Manual before attempting to operate the machine.
- The machine must not be accessed or operated by children and people impaired by alcohol or drugs.
- NEVER operate this machine in application for which it is not intended.
- NEVER operate the machine with the belt guard missing. Exposed drive belt and pulleys create potentially dangerous hazards that can cause serious injuries.
- NEVER allow anyone to operate this equipment without proper training. People operating this equipment must be familiar with the risks and hazards associated with it.
- Do not operate the machine with unapproved accessories or attachments.
- Do not allow anyone to stand or lean on the unit during operation.
- Do not run the machine indoors or in an enclosed area such as a deep trench unless adequate ventilation, through such items as exhaust fans or hoses, is provided. Engine exhaust contains carbon monoxide. This is a poison you cannot see or smell. Exposure to carbon monoxide can cause loss of consciousness and CAN KILL YOU IN MINUTES.
- Do not touch the engine or muffler while the engine is on or immediately after it has been turned off. These areas get hot and may cause burns.
- ALWAYS wear protective clothing, safety glasses, hearing protection, safety-toed footwear to the job site while operating the machine.
- ALWAYS close fuel valve on engines equipped with one when machine is not being operated.
- ALWAYS store the machine properly when it is not being used. The machine should be stored in a clean, dry location out of the reach of children.

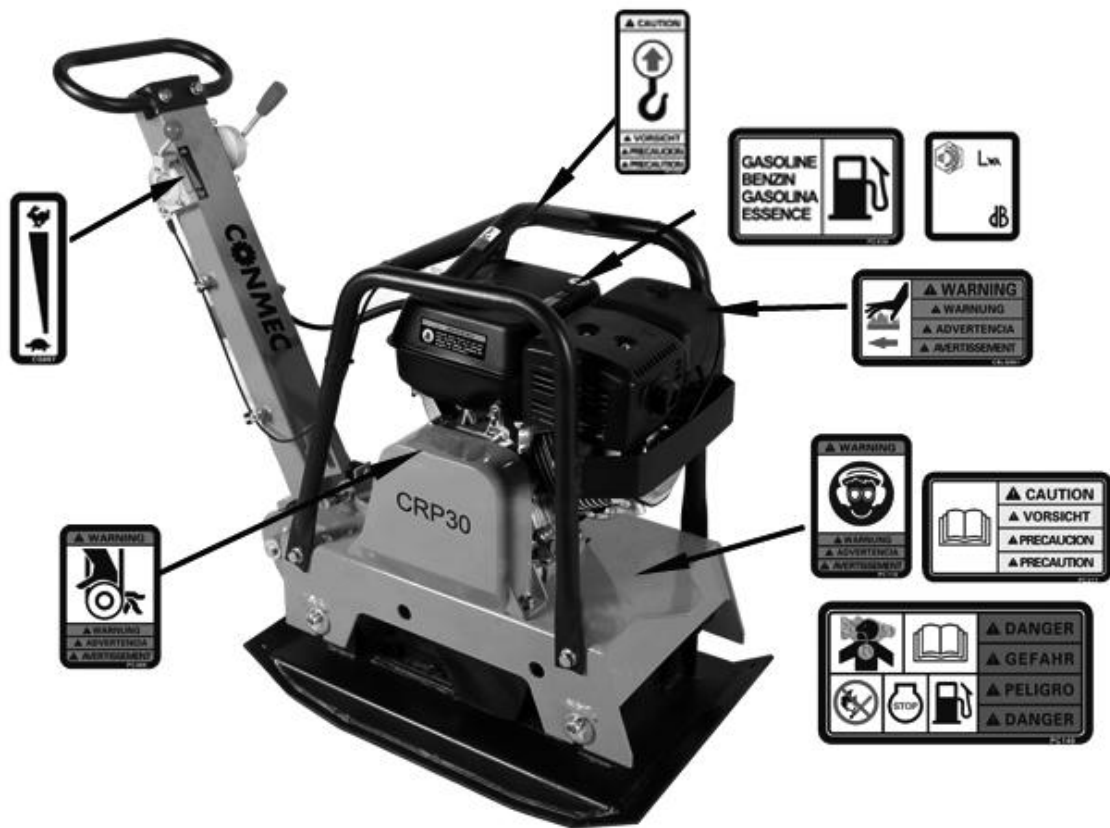
1.2 Operator Safety while using Internal Combustion Engines

- Do not smoke when refueling the engine or during any other fuel handling operation.
- Do not run the engine near sparks or open flames.
- Do not start the engine if fuel has spilled or a fuel odor is present. Move the machine away from the spill and wipe the machine dry before starting.
- Do not refuel a hot or running engine.
- Do not refuel the engine near sparks or open flames.
- Do not spill fuel when refueling the engine.
- Do not touch the engine or muffler while the engine is on or immediately after it has been turned off. These areas get hot and may cause burns.
- If fuel is spilled during refueling, wipe it off from the engine immediately and discard the rag in a safe place. Do not operate the unit if fuel or oil leaks exist-repair immediately.
- NEVER operate this equipment in an explosive atmosphere.
- NEVER operate any gas powered equipment in a poorly ventilated or enclosed area.
- NEVER perform any work on the unit while it is running. Before working on it, stop the engine and disconnect the spark plug wire to prevent accidental starting.
- Avoid prolonged breathing of exhaust gases. You may be hurt by harmful exhausted gases.
- Avoid contact with hot exhaust systems and engine parts.
- Allow engine to cool before performing any repairs or service.
- ALWAYS transport and handle fuel only when contained in approved safety containers.
- ALWAYS keep the area around the muffler free of debris such as leaves, paper, cartons, etc. A hot muffler could ignite the debris and start a fire.

1.3 Service Safety





- Read and understand the instructions contained in the manual delivered with the machine before servicing or maintaining
- Familiarize yourself with the location and proper use of all controls and safety devices before servicing or maintaining.
- Contact local dealer for additional training if necessary.
- Do not allow improperly trained people to service or maintain the machine. Personnel servicing or maintaining the machine must be familiar with the associated potential risks and hazards.
- Do not attempt to clean or service the machine while it is running. Rotating parts can cause severe injury.
- Do not remove blades while the machine is hanging overhead.
- Disconnect the spark plug on machines equipped with gasoline engines, before servicing, to avoid accidental start-up.
- When replacement parts are required for this machine, use only our replacement parts or those parts equivalent to the original in all types of specifications, such as physical dimensions, type, strength, and material.






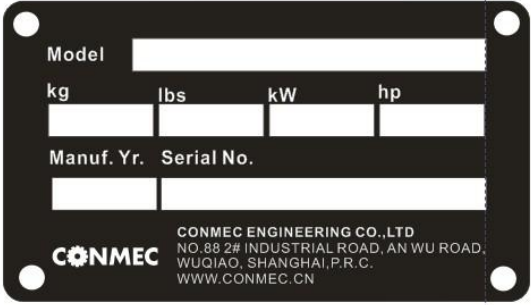
1.4 Label Location



1.5 Label Meanings

Our machines use international pictorial labels where needed. These labels are described below:

Label	Meaning
	<p>DANGER! Engines emit carbon monoxide; operate only in well-ventilated area. Read the Operator's Manual for machine information. No sparks, flames, or burning objects near the machine. Shut off the engine before refueling. Use only clean, filtered unleaded gasoline.</p>
	<p>Guaranteed sound power level.</p>
	<p>CAUTION! Read and understand the supplied Operator's Manual before operating the machine. Failure to do so increase the risk of injury to yourself or others.</p>
	<p>WARNING! Always wear hearing and eye protection when operating this machine.</p>

Label	Meaning
	<p>WARNING! Hand injury if caught in moving belt. Always replace belt guard.</p>
	<p>CAUTION! Lifting point.</p>
	<p>Start-Stop.</p>
	<p>CAUTION! Use only clean, filtered fuel.</p>
	<p>WARNING! Hot surface!</p>
	<p>A nameplate listing the model number and serial number is attached to each unit. Please record the information found on this plate so it will be available if the nameplate lost or damaged. When requesting service information, the serial number should be specified of the unit.</p>

2. OPERATION

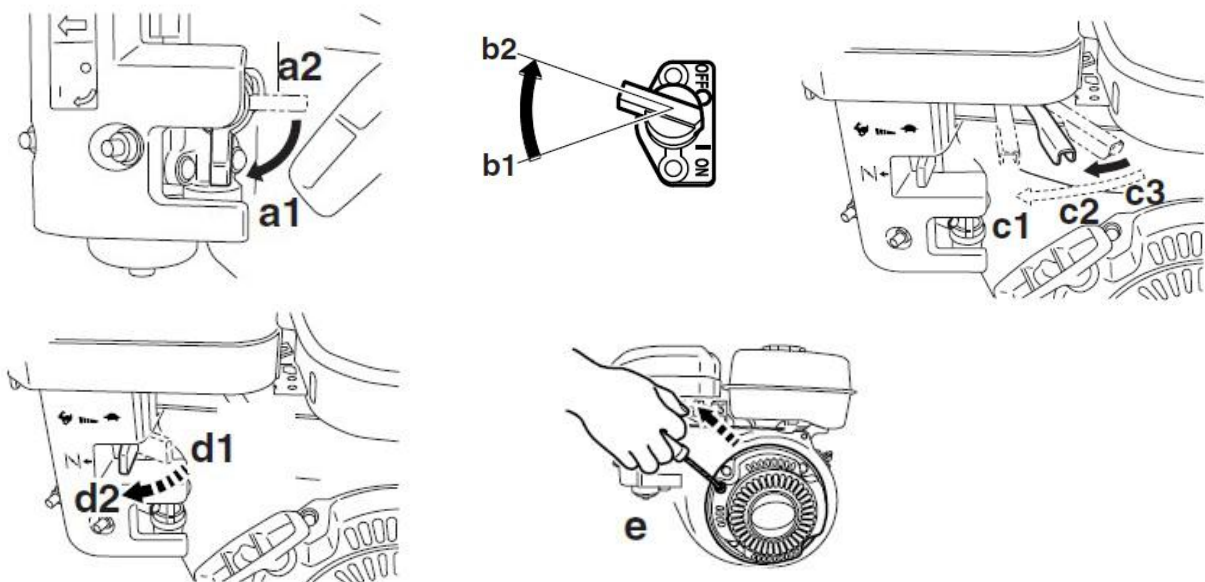
2.1 Start Preparation

Before starting the engine, check the following:

- Fuel level – the tank should be at least half full.
- Motor oil level.
- Air filter.
- Fuel lines for leaks.
- External screw connections for tightness.

2.2 To Start

2.2.1 Starting the petrol engine



- Open the fuel tap (a1).
 - Cold start: Close the choke (d2).
Warm start: Open the choke (d1).
- Note:** The engine is hand warm or hotter with warm start.
- Set the engine switch to "ON" (b2).
 - Push the throttle lever to the left (c2).
 - Pull out the starter rope (e) until compression resistance can be felt and then let it roll back in again.
 - Pull the starter rope with force, but not suddenly.

The engine starts.

- Let starter rope slowly roll back in.
- Open the choke while the engine is warming up.
- Open the throttle lever completely for operation (c1).

2.2.2 Starting for Diesel Engine

- Open the fuel cock.
- Move throttle lever to start position.
- Slowly pull out starter rope until the engine's compression resistance can be felt. At this point let starter rope slowly return into starter housing.
- Press the decompression lever to "Non-compression" position. The lever will return back automatically after the engine started.
- Now start the engine. Pull out the rope and turn the engine with ever increasing speed. Use complete length of starter rope.

2.3 Application

Trench compaction	Earthworks
Road maintenance	Landscaping
Brick paving	Driveway topping

2.4 Operation

Press the control handle in the direction of travel.

Note: The forward and reverse speed can be continuously varied.

2.5 To Stop

1. Push the throttle lever to "O" position.
2. Turn the key switch to "O" (off).
3. Close the fuel valve.

3 MAINTENANCE

3.1 Periodic Maintenance Schedule

The chart below lists basic trowel and engine maintenance. Refer to engine manufacturer's Operator's Manual for additional information on engine maintenance. A copy of the engine Operator's Manual was supplied with the machine when it was shipped. To service the engine, tilt the seat forward.

	Daily	Every 20 hours	Every 50 hours	Every 100 hours	Every 200 hours	Every 300 hours
Check fuel level.	●					
Check engine oil level.	●					
Inspect air filter. Replace as needed.	●					
Check for damage and leaks	●					
Clean air filter		●				
Clean air filter		●				
Check drive belt for wear.			●			
Change engine oil.				●		
Check fuel filter.				●		
Clean and check spark plug.					●	
Check valve clearance					●	
Replace oil filter.					●	
Replace spark plug.						●
Replace fuel filter.						●

3.2 Exciter Oil

When changing the exciter oil, place the exciter on a flat, horizontal surface, remove the drain plug located at the bottom-right of the vibrator, and simply tip the compactor to drain the oil. Note that the oil will drain more easily while it is hot. DO NOT pour in too much oil.

3.3 Lifting and Transporting the machine

3.3.1 Lifting the compactor

Use and lifting hook when lifting machine. Make sure lifting device has enough capacity to hold machine (see identification plate on machine for weight).

3.3.2 Use the trolley wheel (if equipped) for short distance transportation.



3.4 Trouble Shooting

SYMPTOM	POSSIBLE CAUSES	SOLUTION
The V-belt slipping.	Adjust or change the V-belt.	The clutch is slipping.
	It does not advance.	Check or change the clutch.
It vibrates, but does not move.	The vibrator maybe on a slippery surface.	Try on the right surface.
Travels reverse very slowly.	Air in the circuit.	Check and purge the circuit.

3.5 Engine will not start

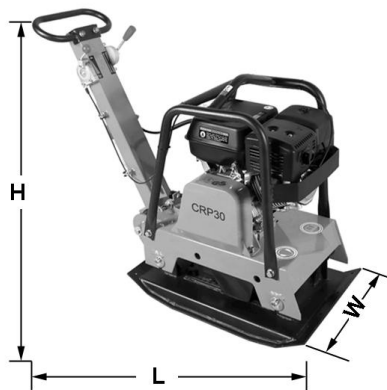
Cause	Remedy
Fuel tank empty.	Refill with fuel.
Fuel tap closed.	Open.
Air filter dirty.	Clean.
Engine switch set to "OFF".	Set the engine switch to "ON".
Recoil starter defective.	Repair.
Oil level warning system turned off.	Top off with engine oil.

4. TECHNICAL DATA

4.1 Technical Specification

Model	CRP30-1	CRP30-2	CRP30-3	CRP30-4
Engine type	Chinese Diesel KM178F	Chinese Petrol Engine	Robin EX17	Honda GX160
Power kw(hp)	4.4(6.0)	4.8(6.5)	4.2(5.7)	4.0(5.5)
Operating weight kg(lb)	170(374)	150(330)	150(330)	149(328)
Frequency rpm	4000			
Centrifugal Force kN	30.5			
Travel Speed cm/s(in/s)	25(10)			
Compaction Depth cm(in)	50(19)			
Efficiency m ² /hr(ft ² /hr)	570(6100)			
Plate Size cm(in)	73*45(28*18)/73*36(28*14)			

4.2 Dimension (L x W x H): 86x37x83 cm



4.3 Sound and Vibration Specification

Sound Specification

	CRP30-1	CRP30-2/3/4
The sound pressure level at operator's location (L_{pA})	105dB(A)	102dB(A)
The guaranteed sound power level (L_{WA})	108dB(A)	108dB(A)

Vibration Specification (According to ISO 2631 and EN 1033) :

CRP30 Series: 4.5 m/s²

**EC DECLARATION OF CONFORMITY
CE-KONFORMITÄTSERKLÄUNG
DECLARACIÓN DE CONFORMIDAD DE LA CE
DÉCLARATION DE CONFORMITÉ C.E.**

**CONMEC ENGINEERING CO., LTD
NO.88, 2# INDUSTRIAL AVENUE, AN WU ROAD, WU QIAO COUNTY,
FENG XIAN, SHANGHAI, P.R.C**

hereby certifies that the construction equipment specified hereunder /bescheinigt, da. das Bauger.t/
certifica que la máquina de construcción/atteste que le matériel :

1. Category / Art / Categoría / Catégorie:
Plate Compactor
2. Type / Typ / Tipo / Type:
CRP30-1, CRP30-2, CRP30-3, CRP30-4

has been produced in accordance with the following standards:/in übereinstimmung mit folgenden
Richtlinien hergestellt worden ist:/ha sido fabricado en conformidad con las siguientes normas: / a été
produit conformément aux dispositions des directives européennes ci-après :

2005/88/EC
2006/42/EC
2004/108/EC/EN55012:2007
EN500-1
EN500-4



03.09.13

Date / Datum / Fecha / Date

John Lee
Manager of Engineering



CONMEC ENGINEERING CO., LTD

Add: No.88, 2# Industrial Avenue, An Wu Road,
Wu Qiao County, Feng Xian, Shanghai, P.R.C

Tel: 86 (0)21 57407318

Fax: 86 (0)21 57406955

E-mail: sales@conmec.cn

www.conmec.cn